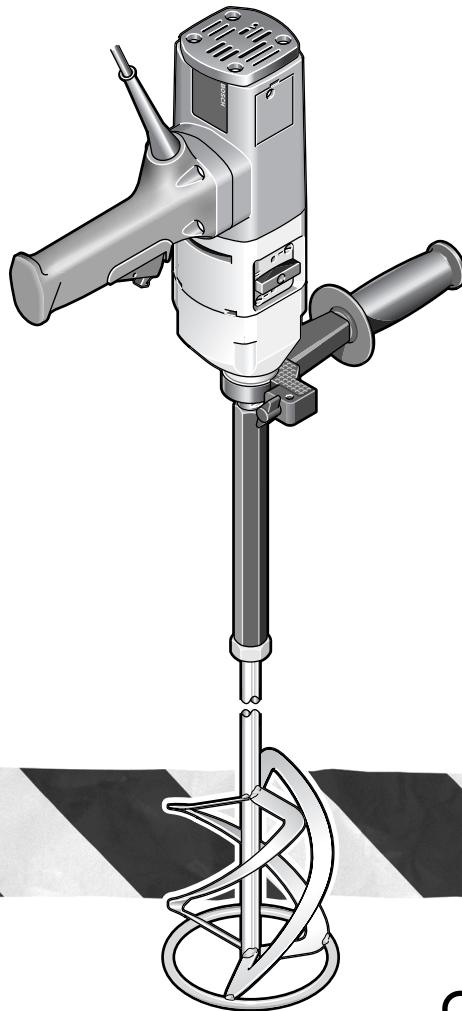


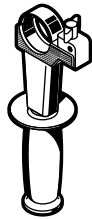
# GRW 11 E PROFESSIONAL

**BOSCH**  
Ideas that work.

\* Des idées en action.

Bedienungsanleitung  
Operating instructions  
Instructions d'emploi  
Instrucciones de servicio  
Manual de instruções  
Istruzioni d'uso  
Gebruiksaanwijzing  
Betjeningsvejledning  
Bruksanvisning  
Brukerveiledningen  
Käyttöohje  
Οδηγία χειρισμού  
Kullanım kılavuzu





3 602 025 013



5/8", M 14, 215 mm

3 609 201 037



M 14, Ø 120 mm

2 607 990 016

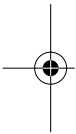
M 14, Ø 140 mm

3 609 201 038

M 14, Ø 160 mm

2 607 990 017

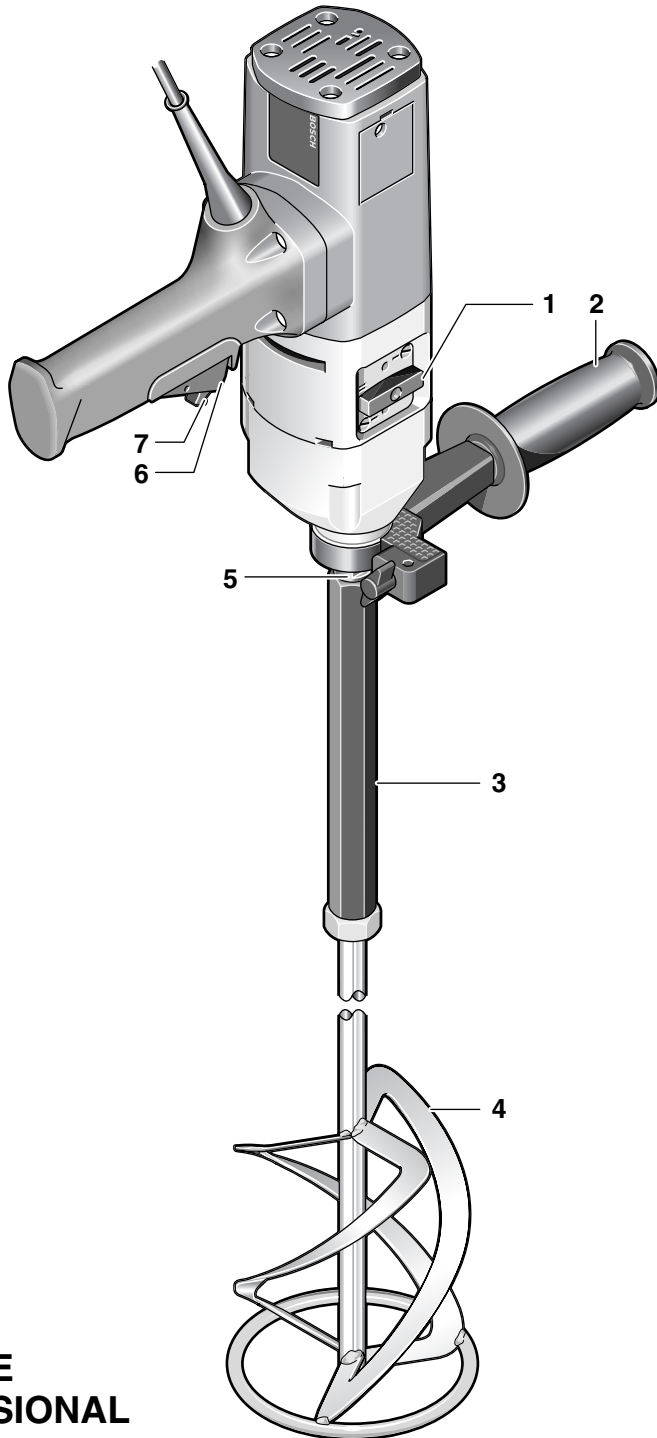
M 14, Ø 140 mm (INOX) 2 607 990 023



M 14, Ø 120 mm

2 607 990 014





**GRW 11 E  
PROFESSIONAL**

## Tool Specifications

Agitator	GRW 11 E PROFESSIONAL	
Order number	0 601 940 7..	
Rated input power* [W]	1 150	
Output power [W]	670	
No-load speed		
1st gear [rpm]	0–400	
2nd gear [rpm]	0–920	
Rated speed		
1st gear [rpm]	0–280	
2nd gear [rpm]	0–640	
Rated torque		
(1st/2nd gear) [Nm]	105/50	
Driving spindle ["]	Ø 5/8	
Spindle collar diameter		
[mm]	Ø 43	
Weight according to EPTA-Procedure 01/2003 [kg]		
	4.2	
Protection class □ / II		

Please observe the order number of your machine. The trade names of the individual machines may vary.

\* The values given are valid for nominal voltages [U] of 230/240 V. For lower voltages and models for specific countries, these values can vary.

## Noise/Vibration Information

Measured values determined according to EN 60 745.

Typically the A-weighted noise levels of the machine are: sound pressure level 87 dB (A); sound power level 98 dB (A). Measurement uncertainty K = 3 dB.

### Wear hearing protection!

The typical hand/arm vibration is below 2.5 m/s<sup>2</sup>.

## Intended Use

The machine is intended for stirring powder-type building materials such as mortar, plaster, cement, and solvent-free paints, varnish and similar substances.

## Machine Elements

The numbering of the machine elements refers to the illustration of the machine on the graphics page.

While reading the operating instructions, unfold the graphics page for the machine and leave it open.

- 1 Gear selector
- 2 Auxiliary handle
- 3 Adapter
- 4 Stirring paddle
- 5 Drive spindle
- 6 On/Off switch
- 7 Lock-on button

Not all of the accessories illustrated or described are included as standard delivery.



## For Your Safety

**Read all instructions.** Failure to follow all instructions listed below may result in electric shock, fire and/or serious injury.

SAVE THESE INSTRUCTIONS.

- **When working with the machine, always hold it firmly with both hands and provide for a secure stance.** The power tool is guided more secure with both hands.
- **Always wait until the machine has come to a complete stop before placing it down.** The tool insert can jam and lead to loss of control over the power tool.
- **Do not use a machine with a damaged mains cable. Do not touch the damaged cable and pull the mains plug when the cable is damaged while working.** Damaged cables increase the risk of an electric shock.
- **Connect machines that are used in the open via a residual current device (RCD).**
- **Do not use for explosive materials (e. g., easily inflammable solvent).** Power tools produce sparks which could ignite developing vapours.
- **In case the machine should fall into the material to be stirred, pull the mains plug immediately and have the machine checked by an after-sales service agent.** Material that has penetrated the machine can cause damage and lead to an electric shock.
- **Always use the auxiliary handle supplied with the machine.** Loss of control can cause personal injury.

## Auxiliary Handle

- Before any work on the machine itself, pull the mains plug.
- Operate the machine only with the auxiliary handle 2.

Depending on the application, the auxiliary handle can be mounted to the spindle collar in any position.

To adjust of the auxiliary handle **2**, rotate the bottom part of the handle in counterclockwise direction and tighten again in the required position.

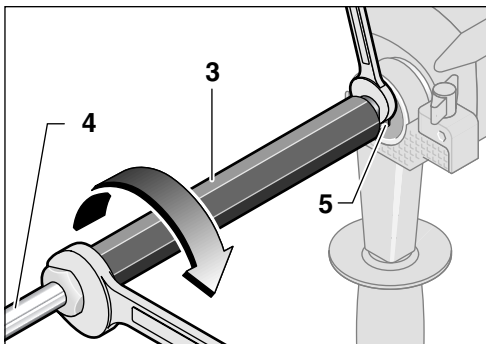
### Mounting the stirring paddle

■ Before any work on the machine itself, pull the mains plug.

#### Stirring paddle with M 14 external thread

Screw the stirrer **4** together with the adapter **3** onto the drive spindle **5**. Hold the drive spindle **5** in place with an open-end spanner, size 17 mm, and tighten the stirrer **4** to the adapter **3** with a second open-end wrench, size 24 mm.

For loosening or changing the stirring paddle, proceed in the opposite sense.

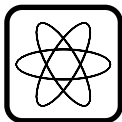


### Starting Operation

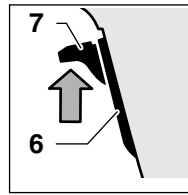
**Observe correct mains voltage:** The voltage of the power source must agree with the voltage specified on the nameplate of the machine. Equipment marked with 230 V can also be connected to 220 V.

#### Switching On and Off

To **start** the machine, press the On/Off switch **6** and keep it depressed.



The machine runs with variable speed between 0 and maximum, depending on the pressure applied to the On/Off switch **6**. Light pressure results in a low rotational speed thus allowing smooth, controlled starts. Do not strain the machine so heavily that it comes to a standstill.

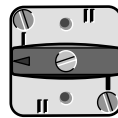


**Lock** the pushed On/Off switch **6** by pushing the lock-on button **7** upward.

To **switch off** the machine, release the On/Off switch **6** or when locked with the lock-on button **7**, press the On/Off switch **6** briefly and then release.

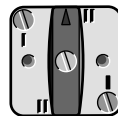
### Gear Selection, Mechanical

Two speed ranges can be preselected with the gear selector **1**:



#### 1st gear:

Low speed range; when working with stirrers with diameters up to 200 mm.



#### 2nd gear:

High speed range; when working with stirrers with diameters up to 140 mm.

**Actuate the speed selector switch **1** only at standstill or no-load of the machine!**

If the speed selector switch **1** can not be set to the end position at standstill, lightly rotate the drive spindle with stirrer.

### Operating Instructions

The choice of stirring paddle **4** depends on the nature of the substance to be stirred. For substances with a low viscosity, such as for example, dispersion paint, varnish, cement, sealing compound or cement grout, use an stirring paddle with a left twist. For substances with a high viscosity, such as for example, ready-mixed plaster, concrete, cement, screed, putty and epoxy resin, use a stirring paddle with a right twist.

Move the machine up and down while stirring.

Clean the stirring paddle after use.

### Maintenance and Cleaning

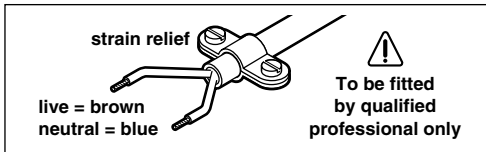
- Before any work on the machine itself, pull the mains plug.
- For safe and proper working, always keep the machine and its ventilation slots clean.

If the machine should fail despite the care taken in manufacturing and testing procedures, repair should be carried out by an authorised after-sales service centre for Bosch power tools.

In all correspondence and spare parts orders, please always include the 10-digit order number given on the nameplate of the machine.

**WARNING! Important instructions for connecting a new 3-pin plug to the 2-wire cable.**

The wires in the cable are coloured according to the following code:



Do **not** connect the blue or brown wire to the earth terminal of the plug.

**Important:** If for any reason the moulded plug is removed from the cable of this device/machine, it must be disposed of safely.

**Environmental Protection**



**Recycle raw materials instead of disposing as waste**

The machine, accessories and packaging should be sorted for environmental-friendly recycling.

These instructions are printed on recycled paper manufactured without chlorine.

The plastic components are labelled for categorised recycling.

**Service and Customer Assistance**

**Exploded views and information on spare parts can be found under:**  
[www.bosch-pt.com](http://www.bosch-pt.com)

**Great Britain**

Robert Bosch Ltd. (B.S.C.)  
P.O. Box 98  
Broadwater Park  
North Orbital Road  
Denham-Uxbridge  
Middlesex UB 9 5HJ

☎ Service ..... +44 (0) 18 95 / 83 87 82  
☎ Advice line ..... +44 (0) 18 95 / 83 87 91  
Fax ..... +44 (0) 18 95 / 83 87 89

**Ireland**

Beaver Distribution Ltd.  
Greenhills Road  
Tallaght-Dublin 24

☎ Service ..... +353 (0)1 / 414 9400  
Fax ..... +353 (0)1 / 459 8030

**Australia**

Robert Bosch Australia Ltd.  
RBAU/SPT2  
1555 Centre Road  
P.O. Box 66 Clayton  
3168 Clayton/Victoria

☎ ..... +61 (0)1 / 800 804 777  
Fax ..... +61 (0)1 / 800 819 520

[www.bosch.com.au](http://www.bosch.com.au)  
E-Mail: CustomerSupportSPT@au.bosch.com

**New Zealand**

Robert Bosch Limited  
14-16 Constellation Drive  
Mairangi Bay  
Auckland  
New Zealand

☎ ..... +64 (0)9 / 47 86 158  
Fax ..... +64 (0)9 / 47 82 914

**CE Declaration of Conformity**

We declare under our sole responsibility that this product is in conformity with the following standards or standardization documents: EN 60 745 according to the provisions of the directives 89/336/EEC, 98/37/EC.

Dr. Egbert Schneider  
Senior Vice President  
Engineering

Dr. Eckerhard Strötgen  
Head of Product  
Certification

*[Signatures]*

Robert Bosch GmbH, Geschäftsbereich Elektrowerkzeuge

**Subject to change without notice**